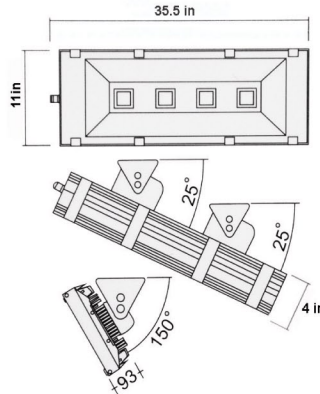




L.E.D. FLOODLIGHT



**TBFLOOD-LED-200W-120VAC
&
TBSPOT-LED-200W-120VAC**



**TBFLOOD-LED-140W-120VAC
&
TBSPOT-LED-140W-120VAC**

SPECIFICATIONS

	<u>140 WATT FLOODLIGHT</u>	<u>200 WATT SPOTLIGHT</u>
Input Voltage	AC 85V-265V	AC 85V-265V
Frequency Range	50Hz-60Hz	50Hz-60Hz
Total Harmonic Distortion	< 6%	< 9%
Power Factor	greater than 0.67	greater than 0.95
Power Efficiency	greater than 62%	greater than 87%
LED Quality	2 PC	4 PC
LED Consumption	140w	185w
System Consumption	150w	212w
LED Luminous Consumption	50-90 Lm/w	60-100Lm/w
LED Initial Flux	8500 LM	12000 LM
Lamp's Efficiency	greater than 90%	greater than 90%
Junction Temperature	< 80 c	< 80 c
Working Temperature	-40c _ + 55c	-40c _ + 55c
Storage Temperature	-25c _ + 65c	-25c _ + 65c
IP Grade	IP 65	IP 65
Working Life-span	50,000 H	50,000 H
Power Line	0.75 mm	0.75 mm
Weight	25 lbs.	45 lbs.
Dimensions	23" w x 11" h x 4" d	35 1/2" w x 11 1/4" h x 4" d
The Color of the Lampshell	Black	Black
Certificate	CE	CE
Light Source	LED	LED
Work Voltage	AC (85V-265V)/(50-60Hz)	AC (85V-265V)/(50-60Hz)
Power	140W	200W
Angle	60 Degree Spot/ 120 Degree Flood	60 Degree Spot

